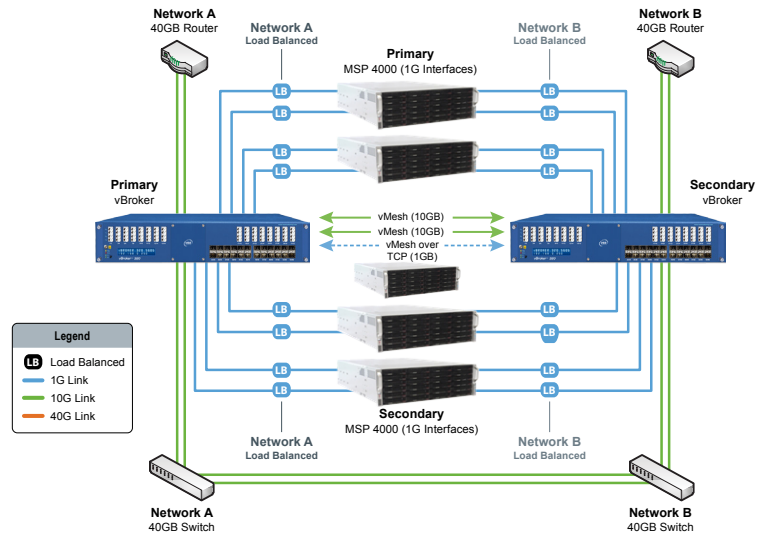


Customer Pain Points	VSS/Empirix Solution
<p><b>Existing 1G analyzers can't monitor 10G links.</b> A speed mismatch between the links to be monitored and E-XMS leads to gaps in coverage.</p>	<p>The VSS Monitoring network packet broker system bridges the gap between 10G links and 1G analyzers, using selective hardware-based filtering, high data burst buffers and session-aware load balancing to make sure E-XMS receives only the specific traffic it needs to see (e.g. from specific VLANs), and that no packets are lost to oversubscription or data bursts.</p>
<p><b>E-XMS is congested with irrelevant traffic.</b> Some network packet brokers send all traffic to the analyzers, even those dedicated to a specific application that only need to see a fraction of the traffic. E-XMS is overwhelmed as it attempts to filter out irrelevant packets.</p>	<p>Hardware-based filtering directs the right traffic, and only the right traffic, to E-XMS and allows the end-user to configure the VSS Monitoring network packet broker to isolate a specific application. Session-aware load balancing distributes traffic to multiple E-XMS systems while keeping sessions intact by sending all traffic related to a specific session to the same E-XMS instance.</p>
<p><b>Traffic capture drops packets under congestion and during microbursts.</b> SPAN ports typically mirror multiple ports and can easily become oversubscribed, dropping packets. In addition, bursty traffic, common in video, can overwhelm a SPAN port during microbursts.</p>	<p>Regardless of link speed, a VSS Monitoring appliance captures 100 percent of even bursty traffic at line rate, using high data burst buffers, and distributes it to the appropriate analyzer.</p>

## Use Case 1 – Reduce monitoring infrastructure costs.

vStack, high data burst buffers, session-aware load balancing, vBroker Expert edition

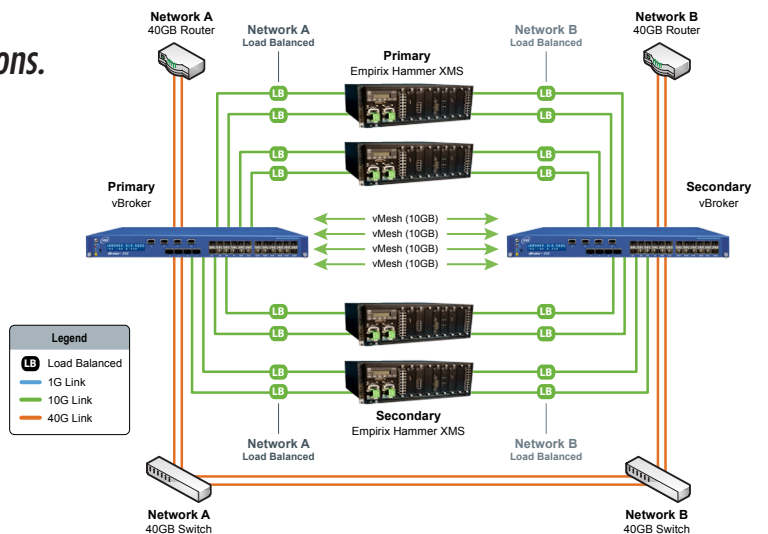
- Expand and maintain the monitoring infrastructure automatically with a self-aware, self-healing architecture
- Scale the centralized monitoring infrastructure without the need for direct physical connections between TAPs using the existing network
- Capture 100 percent of traffic, even microbursts, reliably
- Balance captured traffic from 10G links to avoid oversubscribing 1G E-XMS ports
- Avoid false alarms with session-aware load balancing



## Use Case 2 – Monitor traffic with multiple encapsulations.

Protocol stripping, vBroker Advanced and Expert editions

- Increase the bandwidth E-XMS can process by offloading processor-intensive tasks such as decapsulation and filtering
- Provide visibility into Layer 4 and beyond by stripping multiple tags and protocol layers, such as VLAN tags, MPLS labels, and GTP tunnels



## Qualifying Questions

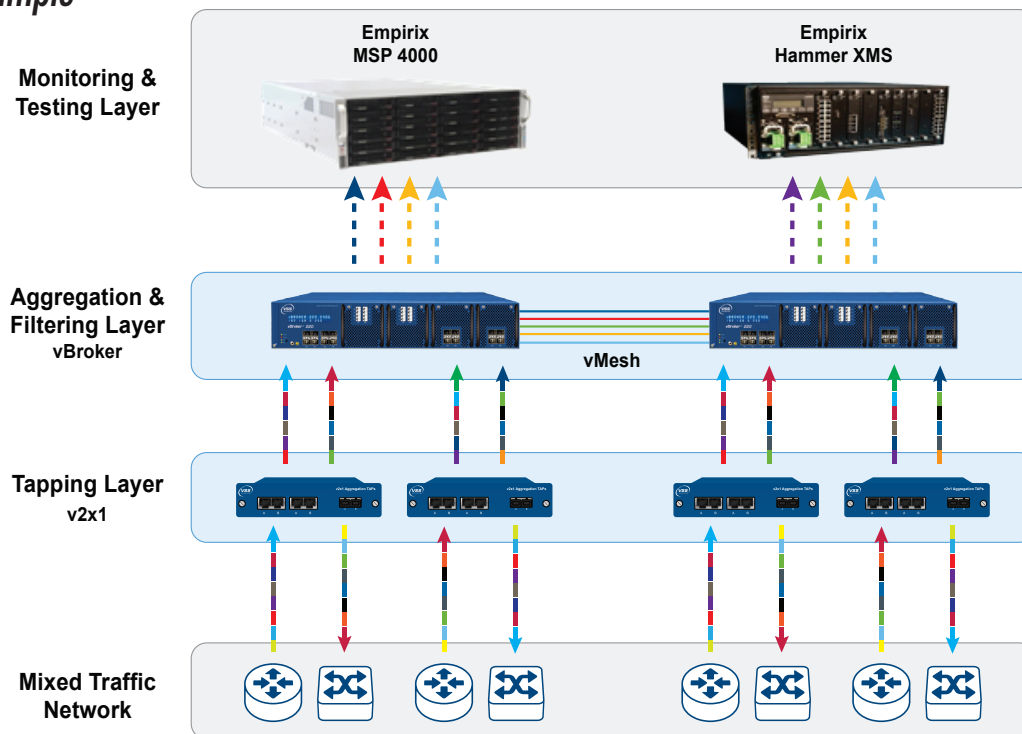
### New Empirix Deployments

- Does the customer application have bursty traffic, such as video?
- Does the customer need to monitor links that vary in speed and utilization levels?
- Does the customer need network visibility down to the link level?
- Does the customer need to filter packets to send specific traffic types to specific E-XMS ports?
- Does the customer need to load balance session-oriented traffic across multiple E-XMS ports?

### Existing Empirix Deployments

- Are your existing E-XMS ports oversubscribed?
- Are you adding additional E-XMS ports?
- Are you expanding the number of links to be monitored?
- Have higher speed links been added to the network since the initial Empirix deployment?
- Do you want to monitor higher-speed links with existing lower-speed E-XMS ports?
- Does your configuration require the same traffic to be sent to multiple E-XMS ports?
- Do you need to load balance session-oriented traffic across multiple E-XMS ports?

## Solution Example



## Empirix & VSS Monitoring Products

VSS Monitoring Network Packet Brokers access and deliver traffic from one or more full-duplex networks to one or more Empirix network intelligence tools. VSS provides policy-based triggers, filtering, and load balancing combined with packet optimization and specific application features to provide redundant network intelligence system building for full LAN, WAN, or cloud-based network visibility.

## Contact Us

For more information on the VSS/Empirix partnership, including relevant Solution Briefs, Use Cases, Product Brochures and Whitepapers, please go to <http://www.vssmonitoring.com/partners/alliances/Empirix.asp> or scan:

For more resources: [Empirix@vssmonitoring.com](mailto:Empirix@vssmonitoring.com)

